

12 gpm
45 L/min
3000 psi
210 bar

Features and Benefits (20-CRZX10)

- Cartridge filters are designed to be mounted directly in the manifold
- Withstands high pressure surges—3000 psi (210 bar) collapse rating

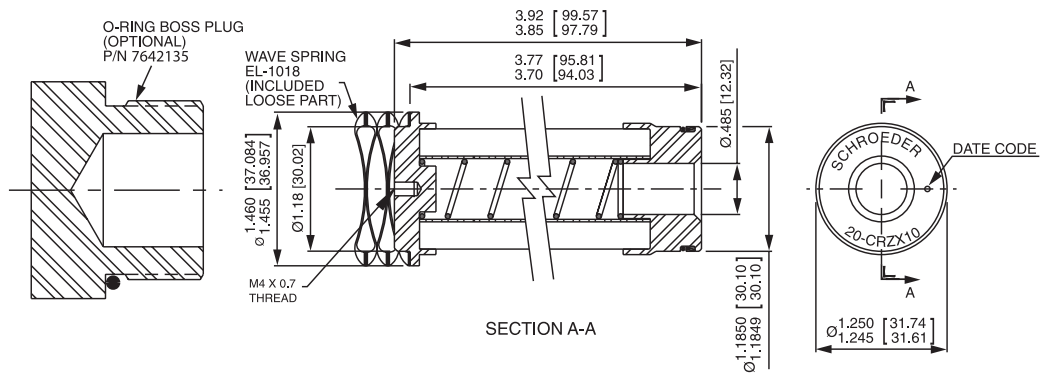
Filter Housing Specifications

Max. Operating Pressure:	3000 psi (210 bar)
Temp. Range:	-20°F to 225°F (-29°C to 107°C)
Element Change Clearance:	20-CRZX10: 3.50" (90 mm)

Fluid Compatibility

Type Fluid	Appropriate Schroeder Media
Petroleum Based Fluids	All Z-Media [®] (synthetic)
High Water Content	3 and 10 μ Z-Media [®] (synthetic)

Element Performance Information & Dirt Holding Capacity



Metric dimensions in ().
Dimensions shown are inches (millimeters) for general information and overall envelope size only.
For complete dimensions please contact Schroeder Industries to request a certified print.

Element Performance Information & Dirt Holding Capacity

Element	Filtration Ratio Per ISO 4572/NFPA T3.10.8.8 Using automated particle counter (APC) calibrated per ISO 4402			Filtration Ratio per ISO 16889 Using APC calibrated per ISO 11171	
	$\beta_{0.1} \geq 75$	$\beta_{0.1} \geq 100$	$\beta_{0.1} \geq 200$	$\beta_{0.1} \geq 200$	$\beta_{0.1} \geq 1000$
ZX10	7.4	8.2	10.0	8.0	9.8

Contact factory for other media options.
Element DHC (gm)

--	--

Element Collapse Rating: 3000 psid (210 bar) for high collapse (ZX) versions

Flow Direction: Outside In

*Based on 100 psi terminal pressure

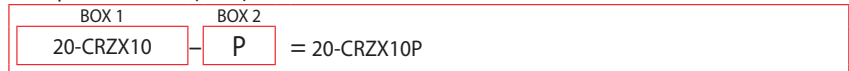
Element Nominal Dimensions:

Filter Model Number Selection

How to Build a Valid Model Number for a Schroeder 20-CRZX10:



Example: NOTE: One option per box



NOTES:

Box 2: Replacement element part numbers are a combination of Boxes 2, 3, and 4. Example: 8RZX3V

Box 4. Viton[®] is a registered trademark of DuPont Dow Elastomers.

BOX 1	BOX 2
Filter Series	Number of Elements
20-CRZX10	Omit = No Plug P = Plug