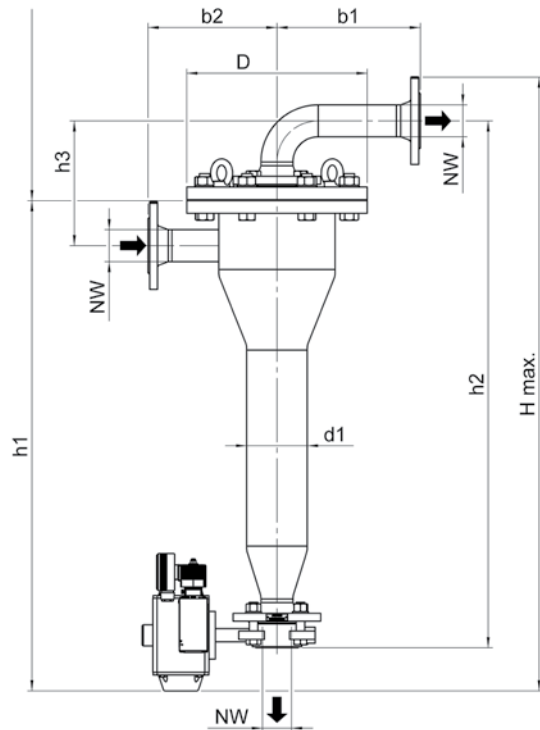


480 gpm  
1816 L/min

230 psi  
16 bar



Filter Size	NW in (mm)	H Max. in (mm)	h1 in (mm)	h2 in (mm)	h3 in (mm)	b1 in (mm)	b2 in (mm)	D in (mm)	d1 in (mm)	Installation Height in (mm)
ATF 2	1.97 (50)	45.67 (1160)	36.42 (925)	39.17 (995)	9.25 (235)	10.63 (270)	9.57 (243)	13.39 (340)	4.50 (114.3)	19.69 (500)
ATF 2.5	3.15 (80)	56.50 (1435)	44.88 (1140)	48.62 (1235)	12.40 (315)	8.66 (10.24)	11.02 (280)	15.55 (395)	5.50 (139.7)	25.59 (650)
ATF 3	3.94 (100)	68.90 (1750)	55.12 (1400)	59.06 (1500)	13.78 (350)	10.24 (260)	12.68 (322)	17.52 (445)	8.63 (219.1)	39.37 (1000)

### Filter Housing Specifications

<b>Filtration Rate:</b>	200-3000 µm slotted tube only		
<b>Operating Rate:</b>	32°F - 194°F (0°C - 90°C)		
<b>Housing Material:</b>	Stainless Steel or Carbon Steel		
<b>Size:</b>	2	2.5	3
<b>Flow Rate:</b>	20-110 gpm (75-416 L/m)	65-260 gpm (246-984 L/m)	85-480 gpm (321-1816 L/m)
<b>Pressure Rating:</b>	145 or 230 psi (10 or 16 bar)	145 or 230 psi (10 or 16 bar)	145 or 230 psi (10 or 16 bar)
<b>Connections Inlet/Outlet:</b>	2" Flange (DN 50)	3" Flange (DN 80)	4" Flange (DN 100)
<b>Connection Discharge Line:</b>	2" Flange (DN 50)	3" Flange (DN 80)	4" Flange (DN 100)
<b>Filter Area:</b>	55 in <sup>2</sup> (360 cm <sup>2</sup> )	150 in <sup>2</sup> (966 cm <sup>2</sup> )	266 in <sup>2</sup> (1720 cm <sup>2</sup> )
<b>Weight:</b>	132 lbs (60 kg)	297 lbs (135 kg)	440 lbs (200 kg)
<b>Volume:</b>	3.5 gal (13.5 L)	7.4 gal (28 L)	14.5 gal (55 L)

# Automatic Twist Flow Strainer ATF-2, ATF-2.5, ATF-3



How to Build a Valid Model Number for a ATF-2, 2.5 and 3:

BOX 1	BOX 2	BOX 3	BOX 4	BOX 5	BOX 6	BOX 7	BOX 8	BOX 9	BOX 10	BOX 11
ATF										

Example: NOTE: One option per box

BOX 1	BOX 2	BOX 3	BOX 4	BOX 5	BOX 6	BOX 7	BOX 8	BOX 9	BOX 10	BOX 11
ATF	2	EPZ	1	E	NN	10	0	X	UKS2	200

= ATF2EPZ1ENN100XUKS2200

BOX 1	BOX 2	BOX 3	BOX 4
Filter Series	Size	Control Type	Voltage
ATF	2 = Inlet/outlet 2" ANSI flange 2.5 = Inlet/outlet 3" ANSI flange 3 = Inlet/outlet 4" ANSI flange	0 = No controls/ No valve M = Manual valve EP = Electro-pneumatic discharge valve, without timer control EPZ = Electro-pneumatic discharge valve, with timer control E = Electric discharge valve, without timer control EZ = Electric discharge valve, with timer control	1 = 230 VAC, 60 Hz, Single Phase 2 = 110VAC, 60 Hz, Single Phase 3 = 24VAC, 60 Hz, Single Phase 4 = 24VDC Omit if no control type specified

BOX 5	BOX 6	BOX 7	BOX 8
Housing Material	Discharge Valve	Pressure Rating	Accessories
N = Carbon Steel E = Stainless Steel A = for ANSI flanges, also add A J = for JIS flanges, also add J T = NPT thread (size 1 only), also add T P = Internal Coating with 2-K polyurethane paint, also add P	0 = None NN = Butterfly valve, cast housing coated, disc Stainless Steel, cuff BR (not available on size 1) NE = Butterfly valve, cast housing coated, disc Stainless Steel, cuff EPDM (not available on size 1) NV = Butterfly valve, cast housing coated, disc Stainless Steel, cuff Viton (not available on size 1) BN = Butterfly valve, cast housing coated, disc Bronze, cuff NBR (not available on size 1) BE = Butterfly valve, cast housing coated, disc Bronze, cuff EPDM (not available on size 1) BV = Butterfly valve, cast housing coated, disc Bronze, cuff Viton (not available on size 1) E = Ball valve Stainless Steel (size 1 only) M = Ball valve brass (size 1 only)	10 = 145 psi (10 bar) 16 = 230 psi (16 bar)	0 = none 1 = Base frame (sizes 2, 2.5 and 3 only) 2 = Mounting clips (sizes 2, 2.5 and 3 only) 3 = Differential pressure gauge in aluminum (fitted to customer's equipment) 4 = Differential pressure gauge in stainless steel (fitted to customer's equipment) 5 = Differential pressure gauge in brass (fitted to customer's equipment)

BOX 9	BOX 10	BOX 11
Modification Number	Element Set	Filtration Rating
X = latest version supplied by factory	UKS1 = Conical Slotted Tube for size 1 UKS2 = Conical Slotted Tube for size 2 UKS2.5 = Conical Slotted Tube for size 2.5 UKS3 = Conical Slotted Tube for size 3 UKS3.5 = Conical Slotted Tube for size 3.5 UKS4 = Conical Slotted Tube for size 4	200 = 200 µm (not for size 4) 300 = 300 µm (not for size 4) 500 = 500 µm 1000 = 1000µm 2000 = 2000µm 3000 = 3000µm

- Filter Model Number Selection**
- RF3-C
  - RF3-0
  - RF3-1
  - RF3-2
  - RF3-2.5
  - RF3-3
  - RF3-4
  - RF3-5
  - RF3-6
  - RF3-7
  - RF3-8
  - RF5
  - RF7
  - RF10
  - RF4
  - RF4-1
  - RF4-2
  - RF12
  - BTU
  - ATF**
  - PLF1
  - PVD