

Description

Schroeder Industries FTC (Filter/ Tank/ Cooler) integration is a fluid conditioning unit that cuts down on the use of hydraulic oil. With our advanced de-aeration filter, this package functions in the footprint of a 25 gallon reservoir.



Features and Benefits

- Optimized 7 gallon reservoir
- Cooler with up to 15hp of heat rejection
- Easily mounts to Truck Frame
- Patent pending De-aeration AFT Filter
- Complete Package to fit in a 25-gallon reservoir footprint
- Hydraulic or DC Fan Motor Available

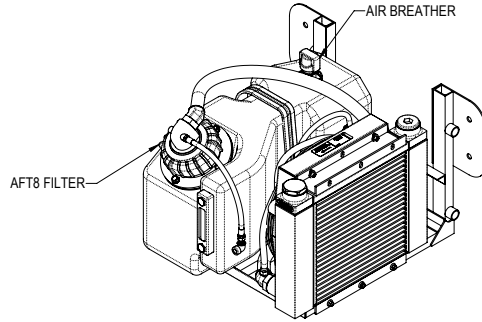
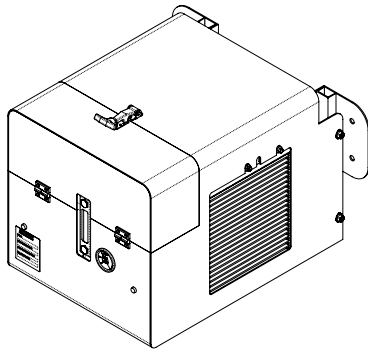
Markets Served

- Automotive
- Environmental
- Forestry
- Industrial
- Machine Tools
- Mobile Vehicles
- Refuse

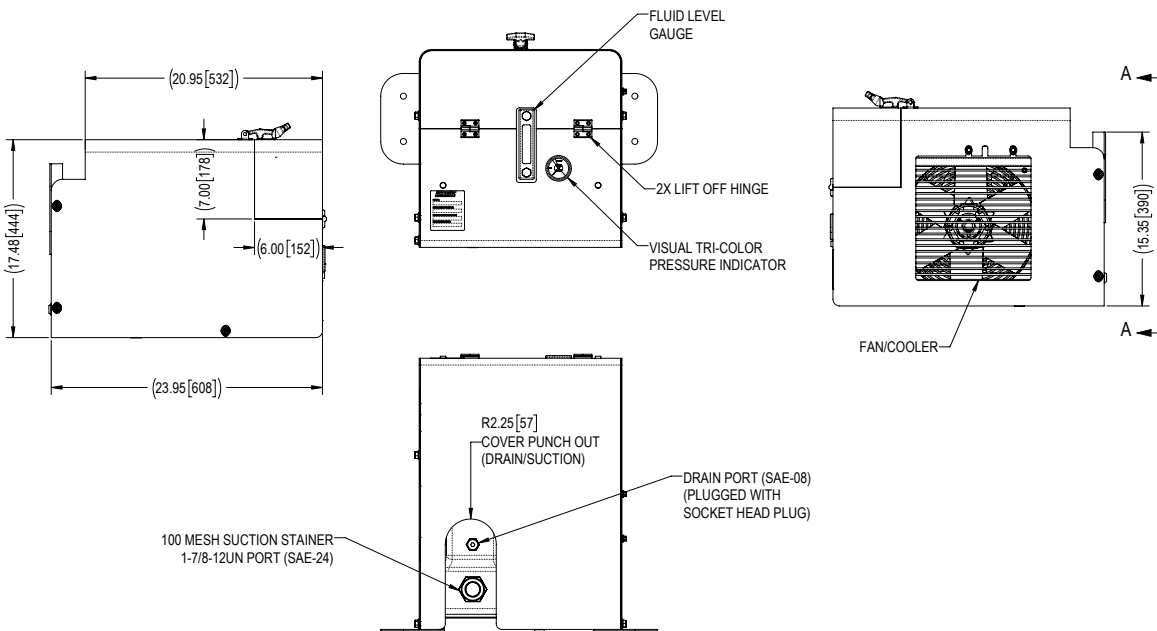
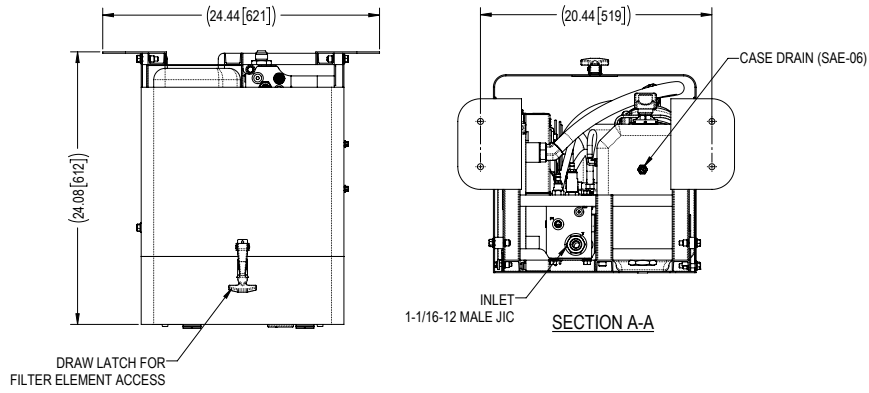
Specifications

Tank Material:	High Density Polyethylene (HDPE), Nylon (PA)
Tank Volume:	7 Gallon (26L)
Operating Temperature:	High Density Polyethylene (HDPE) - 20°F to 180°F (-29°C to 82°C) Nylon (PA) - 32°F to 240°F (0°C to 116°C)
Return Line Filter:	AFT Filter with either 4" or 8" element lengths
Max Return Flow:	40 GPM
Breather:	3 μ phenolic resin impregnated paper element
Suction Strainer:	100 Mesh Strainer
Weight:	Contact Factory
Element Change Clearance:	8" Element with Cover = 3.25" 8" Element with No Cover = 5.00" 4" Element with Cover = 0.50" 4" Element with No Cover = 2.00"
Ultra Violet Light Rating:	HDPE = UV-12 Nylon = UV-10
Cooler Material:	Housing: welded steel Heat exchanger: aluminum, brazed bar-and-plate Fan: plastic Motor: aluminum housing, steel gears and shaft
Max Cooler Pressure:	230 psi (16 bar)
Fan Noise Level:	69 dBa @ 1 meter

N (SAE-06)

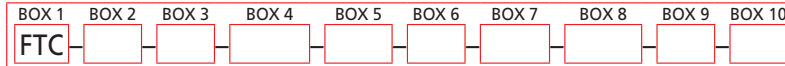


INTERNAL VIEW

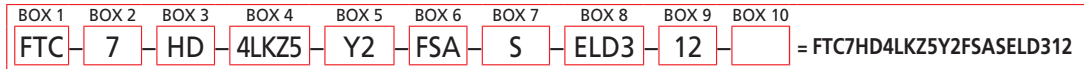


Filter Model Number Selection For FTC

How to Build a Valid Model Number for a Schroeder FTC:



Example: NOTE: Only box 10 may contain more than one option



BOX 1	BOX 2	BOX 3	BOX 4	BOX 5
FTC	Tank Size	Material	Return Filter and Element Micron Selection	Filter Indicator
FTC	7 = 7 Gallon	HD = HDPE PA = Nylon	4LKZ5 = 5 micron, 4" element (20 GPM) 4LKZ10 = 10 micron, 4" element (20 GPM) 8LKZ5 = 5 micron, 8" element (40 GPM) 8LKZ10 = 10 micron, 8" element (40 GPM)	Y2 = Tricolor visual indicator ES = Electrical Indicator ES1 = Heavy Duty Electrical Switch ES2 = Heavy-duty electric switch with conduit connection ES3 = Electric switch with DIN connector
BOX 6	BOX 7	BOX 8	BOX 9	
Sight Glass	Suction Strainer	Cooler	Cooler Voltage	
FSA = FSA Sight Glass FSK = FSK Sight Glass	S = 100 Mesh Strainer N = No Strainer	ELD 3 = DC motor with 15 HP Heat Rejection ELH 3 = Hydraulic Motor with 22 HP of Heat Rejection	12 = 12 volt DC 24 = 24 volt DC Omit = Hydraulic Motor	
BOX 10				
Cover				
Omit = Include N = None				