



Model No. of filter in photograph is GPT15DCLKZ25DF32S24

Features and Benefits

- Filter bypass in cap vs base, cleaner cold start
- Patent Pending In-Tank Design
- Lock & Key Quality Protected

Filter Housing Specifications

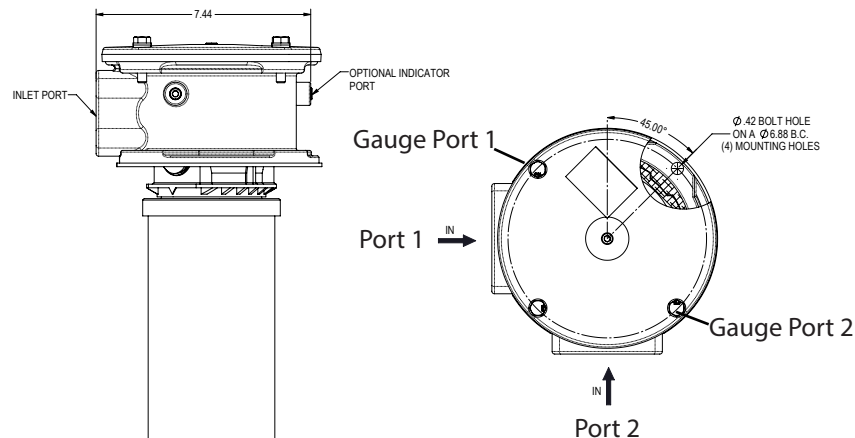
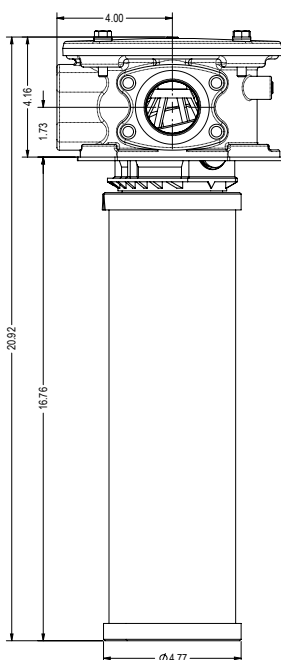
Flow Rating:	Up to 175 GPM (662 L/min) FOR 150 SUS (32 cSt) Fluids
Max. Operating Pressure:	150 PSI (10.3 bar)
Min. Yield Pressure:	Consult Factory
Rated Fatigue Pressure:	89 psi (6 bar)
Temp. Range:	-20 F to 225 F (-29 C to 107 C)
Bypass Setting:	Cracking: 35 PSI (2.4 bar)
Ported Head and Cap:	Die Cast Aluminum
Weight:	7 LBS. (3.18 kg)
Element Change Clearance:	20.0" (508 mm)

Fluid Compatibility

Type Fluid:	Appropriate Schroeder Media
High Water Content:	All Z-Media (synthetic)
Invert Emulsions:	10 and 25 micron Z-Media (synthetic)
Water Glycols:	3, 5, 10, and 25 micron Z-Media (synthetic)
Phosphate Esters:	All Z-Media (synthetic) with H (EPR) seal designation

Element Performance Information

Element	Filtration Ratio Per ISO 4572/NFPA T3.10.8.8 Using automated particle counter (APC) calibrated per ISO 4402	Filtration Ratio per ISO 16889 Using APC calibrated per ISO 11171
	$\beta_x \geq 75$	$\beta_x(c) \geq 1000$
15TLKZ3	<4.0	4.8
15TLKZ5	4.8	6.3
15TLKZ10	8.0	10.0
15TLKZ25	19.0	24.0



Tank-Mounted Filter

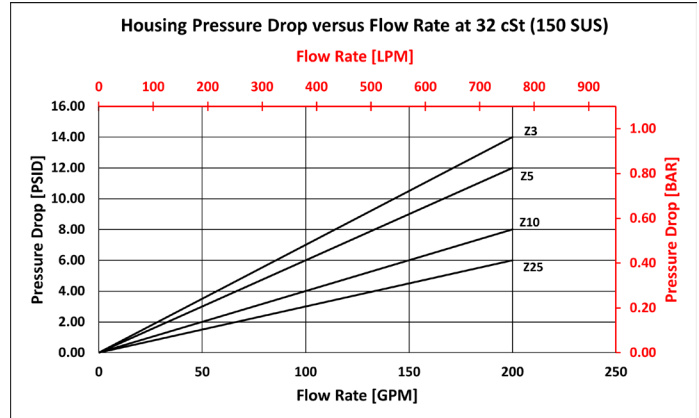
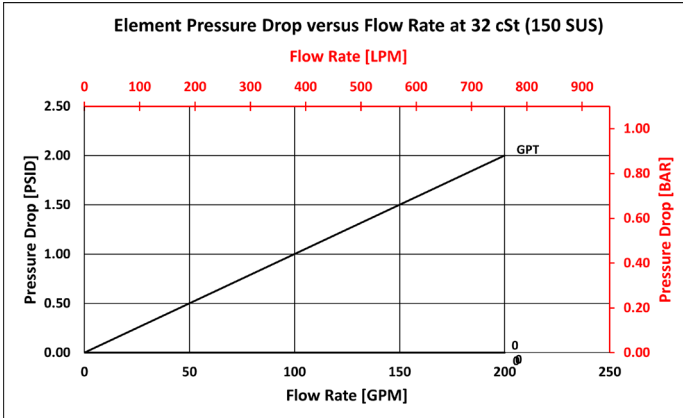
GPT

Pressure Drop Information Based on Flow Rate & Viscosity

Element	ΔP	Housing	ΔP
15TLKZ3	0.09	0 GPM	0
15TLKZ5	0.08	50 GPM	0.5
15TLKZ10	0.06	100 GPM	1
15TLKZ25	0.05	150 GPM	1.5
		200 GPM	2.0

Element Dirt Holding Capacity

Element	DHC (gm)
15TLKZ3	234
15TLKZ5	259
15TLKZ10	231
15TLKZ25	312



How to Build a Valid Model Number for a Schroeder GPT:



Element	Element	Media	Micron Rating	Seals
Note: Element code can also be used to build a replacement element.	15DCLK = 15" Element	Z = Excellence Z-Media (synthetic) Note: Other media is available upon request.	3 = 3 Micron 5 = 5 Micron 10 = 10 Micron 25 = 25 Micron	Omit = Buna V = Viton H = EPR
Porting	Porting	Block Port Options	Bypass	
	DF32S24	Omit = None N1 = Block Port 1 N2 = Block Port 2	Omit = 35 PSI Cracking	
Indicator	Indicator Location			
	Omit = None Y2 = Tricolor Visual Indicator (Back Mounted) Y2C = Tricolor Visual Indicator (Bottom Mounted) ES5 = Electric Switch with 3-Pin Deutsch Connector		Omit = No Indicator P1 = Gauge Port 1 P2 = Gauge Port 2	

The 15DCLK element assembly is made up of the GPT diverter cap and the 15TLK element.

A list of model code pairings is shown below:

15DCLKZ10,ELEMENT = DIVERTER, ASSY, GPT, BUNA + 15TLKZ10, ELEMENT
15DCLKZ25,ELEMENT = DIVERTER, ASSY, GPT, BUNA + 15TLKZ25, ELEMENT
15DCLKZ3,ELEMENT = DIVERTER, ASSY, GPT, BUNA + 15TLKZ3, ELEMENT
15DCLKZ5,ELEMENT = DIVERTER, ASSY, GPT, BUNA + 15TLKZ5, ELEMENT

15DCLKZ10 GPT Diverter 15TLKZ10

