



Features and Benefits (LC35)

- Compact design allows for in-line installation.
- Small profile allows filter to be mounted in tight areas.
- Quick and easy cartridge element change outs.
- Durable, compact design.
- Uses 10 or 40 micron Sintered Bronze filtration.
- Perfect for pilot pressure circuits and pressure compensated pump protection.

15 gpm
57 L/min
3500 psi
241 bar

NF30
 NFS30
 YF30
 CFX30
 PLD
 CF40
 DF40
 PF40
 RFS50
 RF60
 CF60
 CTF60

Model No. of filter in photograph is LC351B5105.

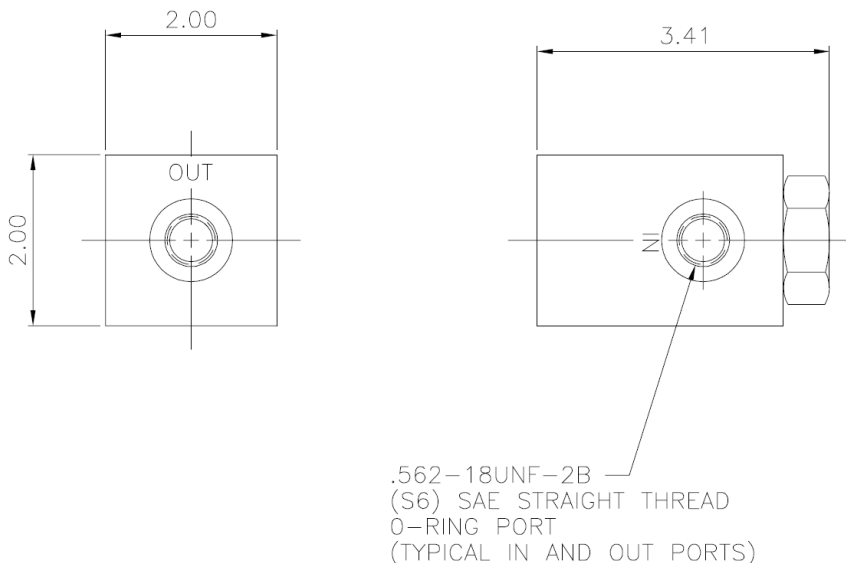
Flow Rating:	Up to 15 gpm (57 L/min) for 150 SUS (32 cSt) fluids
Max. Operating Pressure:	3500 psi (241 bar)
Min. Yield Pressure:	10500 psi (724 bar), per NFPA T2.6.1
Rated Fatigue Pressure:	2200 psi (152 bar), per NFPA T2.6.1
Temp. Range:	-20°F to 225°F (-29°C to 107°C)
Porting Head:	Steel
Element Case:	Steel
Weight:	1.32 lbs. (0.60 kg)
Element Change Clearance:	3.25" (82.6 mm)
Type Fluid	Appropriate Schroeder Media
Petroleum Based Fluids	All Sintered Bronze
Invert Emulsions	10 and 40 μ Sintered Bronze
Water Glycols	10 and 40 μ Sintered Bronze

Filter Housing Specifications

VF60
 LW60
 KF30
 KF50
 TF50
 KC50

Fluid Compatibility

MKF50
 MKC50
 KC65



Metric dimensions in (). Dimensions shown are inches (millimeters) for general information and overall envelope size only. For complete dimensions please contact Schroeder Industries to request a certified print.

MKC65
 HS60
 MHS60
 KFH50
 LC60
LC35
 LC50
 NOF30-05
 NOF-50-760
 FOF60-03
 NMF30
 RMF60
 14-CRZX10
 20-CRZX10

Element Performance Information & Dirt Holding Capacity

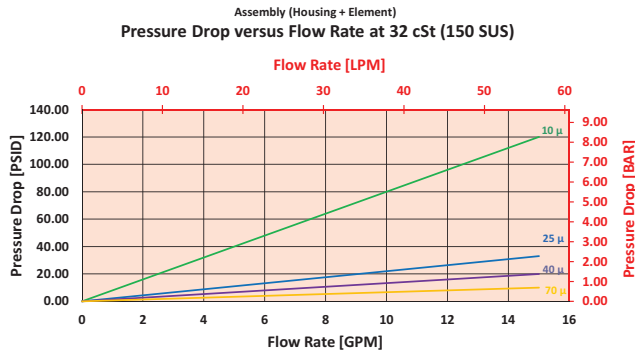
Element	Filtration Ratio Per ISO 4572/NFPA T3.10.8.8 Using automated particle counter (APC) calibrated per ISO 4402			Filtration Ratio per ISO 16889 Using APC calibrated per ISO 11171	
	$\beta_x \geq 75$	$\beta_x \geq 100$	$\beta_x \geq 200$	$\beta_{x(c)} \geq 200$	$\beta_{x(c)} \geq 1000$

Please contact manufacturer for more details

Pressure Drop Information Based on Flow Rate and Viscosity

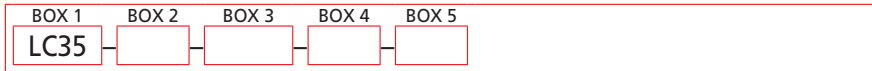
$\Delta P_{\text{housing}}$

LC35 $\Delta P_{\text{housing}}$ for fluids with sp gr (specific gravity) = 0.86:

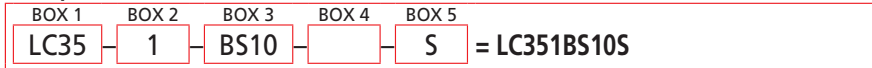


Filter Model Number Selection

How to Build a Valid Model Number for a Schroeder LC35:



Example:



BOX 1	BOX 2	BOX 3	BOX 4
Filter Series	Number of Elements	Element Part Number	Seal Material
LC35	1	BS10 = 10 μ Sintered Bronze BS25 = 25 μ Sintered Bronze BS40 = 40 μ Sintered Bronze BS70 = 70 μ Sintered Bronze	Omit = Buna N
BOX 5			
Porting			
S = SAE-6			