

# Manifold Filter Kit

# NMF30



### Features and Benefits

- Allows for effective filtration in customer's manifold

**20 gpm**  
**75 L/min**  
**3000 psi**  
**210 bar**

NF30  
 NFS30  
 YF30  
 CFX30  
 PLD  
 CF40  
 DF40  
 PF40  
 RFS50  
 RF60  
 CF60

Model No. of filter in photograph is NMF301NNZX10.

Flow Rating:	Up to 20 gpm (75 L/min) for 150 SUS (32 cSt) fluids
Max. Operating Pressure:	3000 psi (210 bar)*
Min. Yield Pressure:	10,000 psi (690 bar)*, per NFPA T2.6.1
Rated Fatigue Pressure:	2400 psi (185 bar)*, per NFPA T2.6.1
Temp. Range:	-20°F to 225°F (-29°C to 107°C)
Element Case:	Aluminum
Element Change Clearance:	4.50" (115 mm)

### Filter Housing Specifications

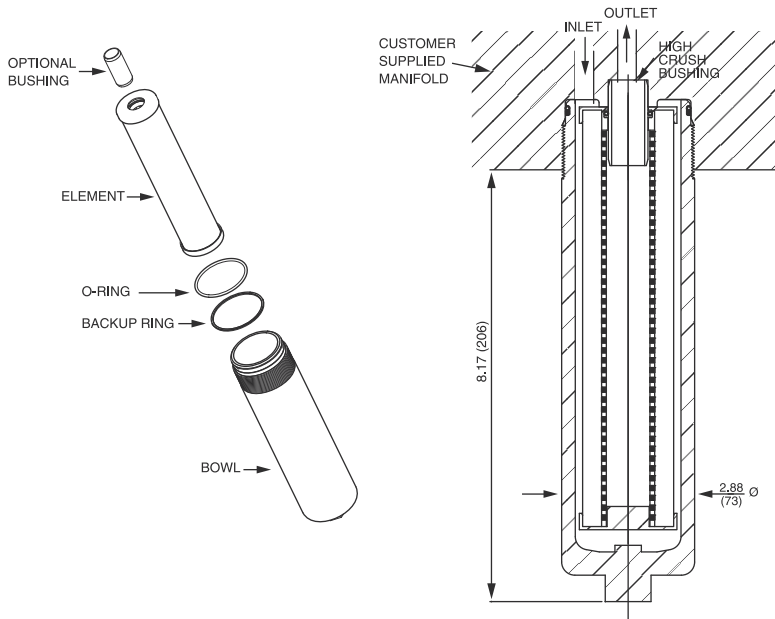
CTF60  
 VF60  
 LW60  
 KF30  
 KF50

\*Only with manifold material properties equivalent to aluminum 6061-T651.

Type Fluid	
Petroleum Based Fluids	
High Water Content	

### Fluid Compatibility

TF50  
 KC50  
 MKF50  
 MKC50  
 KC65  
 HS60  
 MHS60  
 KFH50



LC60  
 LC35  
 LC50  
 NOF30-05  
 NOF-50-760  
 FOF60-03

### NMF30

RMF60  
 14-CRZX10  
 20-CRZX10

Metric dimensions in ( ).  
 Dimensions shown are inches (millimeters) for general information and overall envelope size only.  
 For complete dimensions please contact Schroeder Industries to request a certified print.

## Element Performance Information & Dirt Holding Capacity

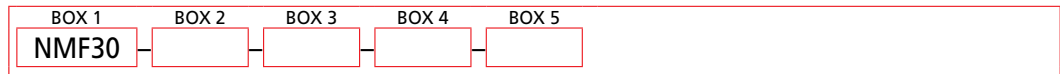
Element	Filtration Ratio Per ISO 4572/NFPA T3.10.8.8 Using automated particle counter (APC) calibrated per ISO 4402			Filtration Ratio per ISO 16889 Using APC calibrated per ISO 11171		Dirt Holding Capacity gm
	$\beta_x \geq 75$	$\beta_x \geq 100$	$\beta_x \geq 200$	$\beta_x(\epsilon) \geq 200$	$\beta_x(\epsilon) \geq 1000$	
NNZX3	<1.0	<1.0	<2.0	4.7	5.8	11*
NNZX10	7.4	8.2	10.0	8.0	9.8	13*

Element	DHC (gm)
NNZX3	11*
NNZX10	13*

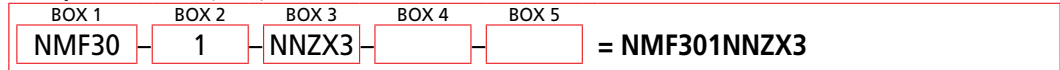
Element Collapse Rating: 3000 psid (210 bar)  
 Flow Direction: Outside In  
 Element Nominal Dimensions: 1.75" (45 mm) O.D. x 8.00" (200 mm) long

## Filter Model Number Selection

### How to Build a Valid Model Number for a Schroeder NMF30:



**Example:** NOTE: One option per box



BOX 1	BOX 2	BOX 3	BOX 4	BOX 5
<b>Filter Series</b>	<b>Number of Elements</b>	<b>Element Part Number</b>	<b>Seal Material</b>	<b>Bushing</b>
NMF30	1	NNZX3 = NN size 3 $\mu$ high collapse media NNZX10 = NN size 10 $\mu$ high collapse media NNZX25 = NN size 25 $\mu$ high collapse media	Omit = Buna N V = Viton® W = Buna N	Omit = Included N = Not included

#### NOTES:

Box 3. Replacement element part numbers are identical to contents of Boxes 3 and 4.

Box 4. For options V and W, all aluminum parts are anodized. Viton® is a registered trademark of DuPont Dow Elastomers.