

# Air Breathers

## PAB3 Breather

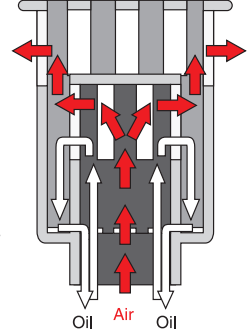
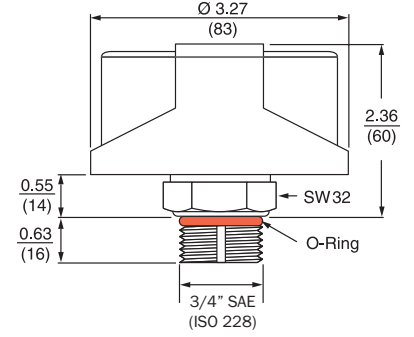
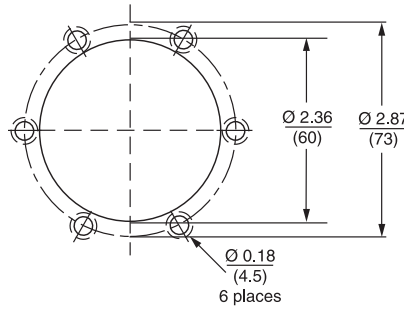
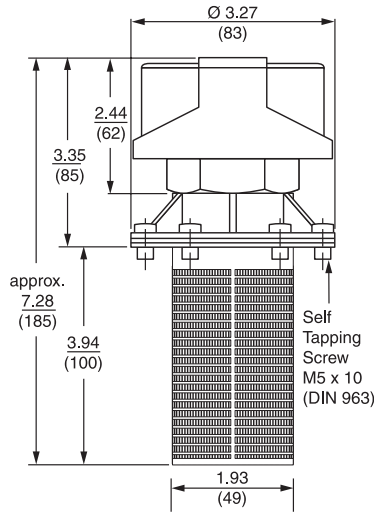


## PABS3 Breather



### Features and Benefits

- Durable synthetic Nylon 6 housing
- Phenolic resin impregnated filter element
- Standard Buna N O-Ring
- Available with anti-splash or relief valve
- Optional customer logo (contact factory)
- Optional dipstick (contact factory)



## Specifications

Max. Flow Rate: 14 SCFM / 105 gpm at .15 psi  
30 SCFM / 230 gpm at .6 psi

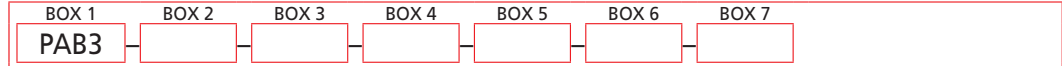
Filtration Rating: 3  $\mu$ m absolute

Operational Temperature: -22° to 212°F (-30° to 100°C)

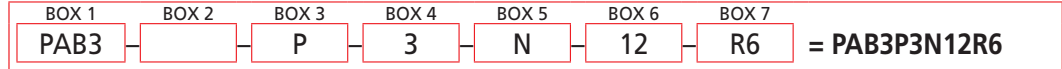
## Filter Model Number Selection

Same Day Shipment Model

### How to Build a Valid Model Number for a Schroeder PAB3:



Example: NOTE: One option per box



BOX 1	BOX 2	BOX 3	BOX 4	BOX 5	BOX 6
<b>Model Number</b>	<b>Replacement Element</b>	<b>Connection Type</b>	<b>Filtration Rating</b>	<b>Gauge Option</b>	<b>Connection Size</b>
PAB3	Omit	P = NPT	3	N = No Gauge	1 = 1" NPT
PABS3		S = SAE			12 = 3/4" SAE
		For PABS3 Only			For PABS3 Only
		F = Flanged			1 = Standard

BOX 7
<b>Options</b>
AS = Anti-Splash
R6 = 6 psi relief valve
For PAB3 Only
D = Dipstick

For PABS3 Only

Replacement Elements: PABM3N22

NOTE:

Contact factory for lead time and minimum order quantity for other models.