

Air Breathers

PAB3 Breather

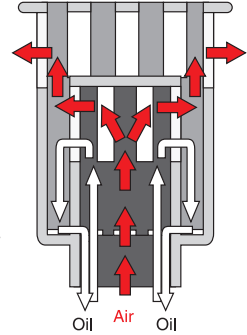
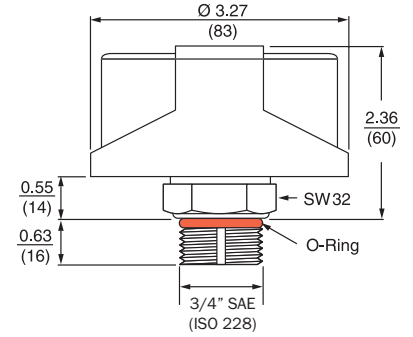
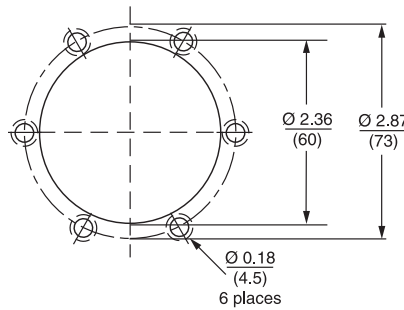
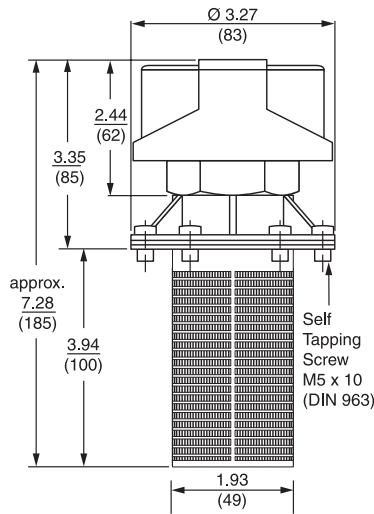


PABS3 Breather



Features and Benefits

- Durable synthetic Nylon 6 housing
- Phenolic resin impregnated filter element
- Standard Buna N O-Ring
- Available with anti-splash or relief valve
- Optional customer logo (contact factory)
- Optional dipstick (contact factory)



Specifications

Max. Flow Rate: 14 SCFM / 105 gpm at .15 psi
30 SCFM / 230 gpm at .6 psi

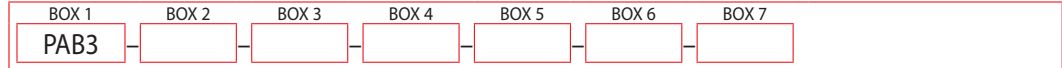
Filtration Rating: 3 μ m absolute

Operational Temperature: -22° to 212°F (-30° to 100°C)

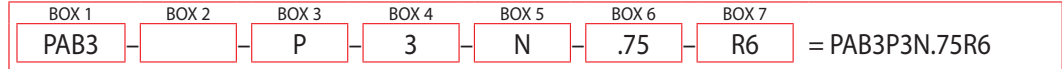
Filter Model Number Selection

Same Day Shipment Model

How to Build a Valid Model Number for a Schroeder PAB3:



Example: NOTE: One option per box



BOX 1	BOX 2	BOX 3	BOX 4	BOX 5	BOX 6
Model Number	Replacement Element	Connection Type	Filtration Rating	Gauge Option	Connection Size
PAB3	Omit	P = NPT	3	N = No Gauge	.75 = 3/4" NPT
PABS3		S = SAE			12 = 3/4" SAE
		For PABS3 Only			For PABS3 Only
		F = Flanged			1 = Standard

BOX 7
Options
AS = Anti-Splash
R6 = 6 psi relief valve
For PAB3 Only
D = Dipstick

For PABS3 Only

Replacement Elements: PAB3M3N42

NOTE:

Contact factory for lead time and minimum order quantity for other models.