

Reservoir Filtration System Adapter



Features and Benefits

- The RFSA is an aluminum adapter that gives a kidney loop filter access to a reservoir
- Accommodates kidney loop filtration rates up to approximately 15 gpm
- Suitable to use with many Filter Systems products including: KLS/KLD/MFS/MFD, HFS-BC, MFD-BC, MFD-MV, MFS/MFD-HV, TDS-A, AMFS, FS, MTS
- 1.25" SAE O-Ring Boss Suction Port
- 1.00" SAE O-Ring Boss Return Port
- Suction and Return downtubes included and recommended to be cut to length and bent for proper fluid turnover in a reservoir
- Optional MFS/MFD Fitting Kit can be ordered separately. This includes adapters to install CAM-GROOVE hose couplings between Suction/Return hoses/wands and additional CAM-GROOVE adapters for installation in kidney loop adapter. Dust caps and plugs included

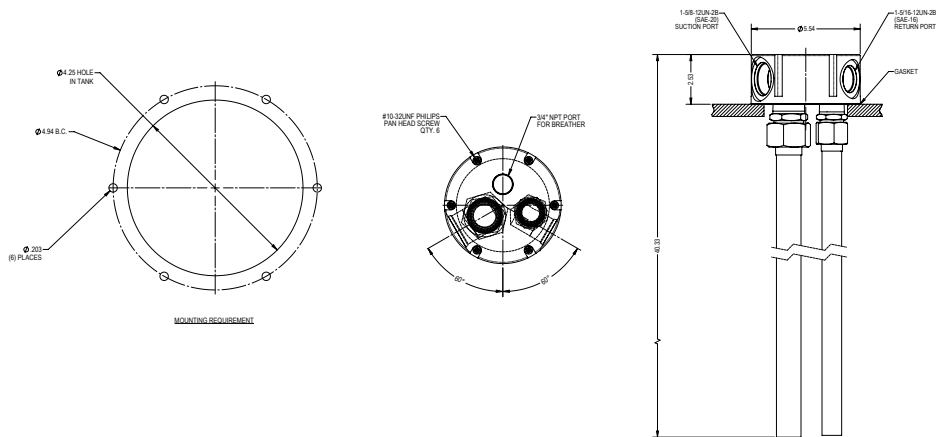
Market Applications

- All applications with a hydraulic reservoir utilizing a 6-bolt mounting connection

Mounting Requirement

Customer is responsible to cut an appropriately sized hole on top of their tank. This adapter has two (2) ports: one for Suction and one for Return. Also includes a breather port.

Reservoir pattern is six (6) .18" holes on a 4.94" BCD with a 4.25" diameter center hole. See Drawing S-1048.



Specifications

Reservoir Mounting Pattern: Fits standard 6-bolt

Supply Port Thread Size: 1.25" SAE O-Ring Boss Suction Port

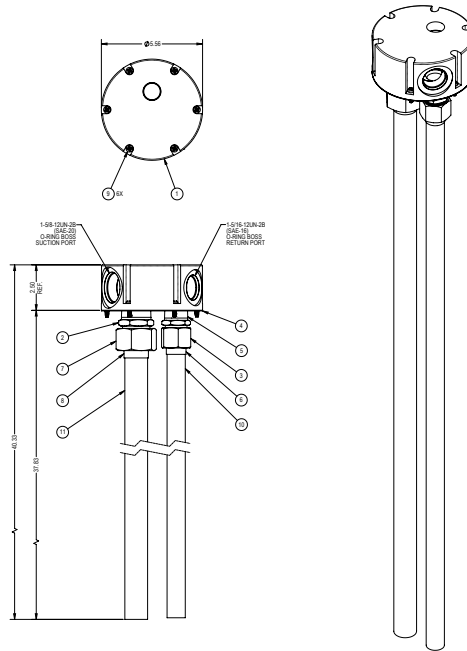
Return Port Thread Size: 1.00" SAE O-Ring Boss Return Port

Breather Port Thread Size: 3/4" NPT

Return Tubes: Suction and Return downtubes included and recommended to be cut to length and bent for proper fluid turnover in reservoir

Reservoir Filtration System Adapter

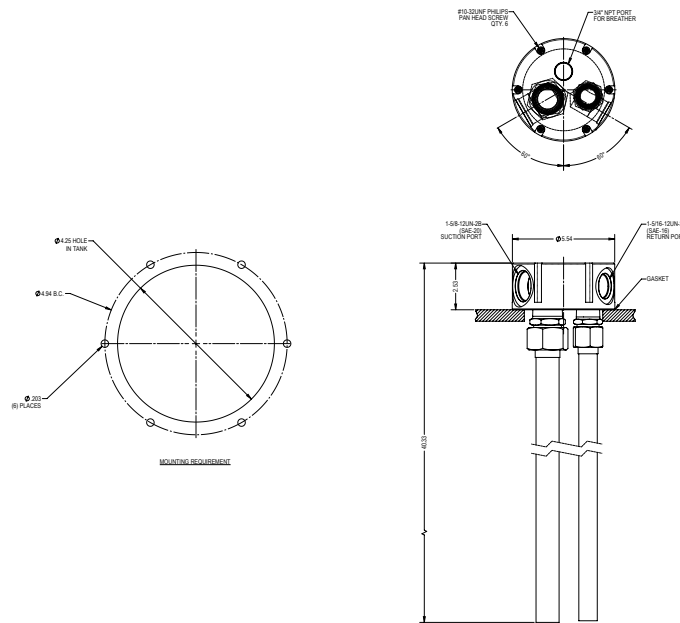
RFSA



Parts List Drawing

- CS 1000
- CS 1939
- CSI-C-11
- HY-TRAX®
- RBSA
- CSM
- FCU
- MCS
- AS
- SMU
- CTU
- EPK
- Trouble Check Plus
- HMG2500
- HMG4000
- ET-100-6
- HTB
- RFSA**

Installation Details

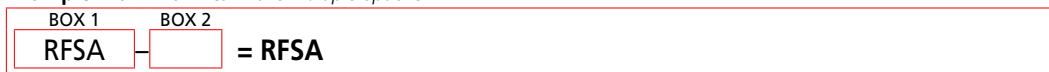


- HFS-BC
- HFS-15
- MFD-BC
- MFS, MFD
- HY-TRAX® Retrofit System
- MFD-MV
- MFS-HV
- AMS, AMD
- FS
- AMFS
- KLS, KLD
- MCO
- AKS, AKD
- LSN, LSA, LSW
- X Series
- OLF Compact

How to Build a Valid Model Number for a Schroeder Filtration System Adapter RFSA:



Example: NOTE: Box 2 can have multiple options.



Model Number Selection

| BOX 1 Model | BOX 2 Options |
|----------------|---|
| RFSA | Omit = For use with Kidney Loop Filtration Products 1 = Optional MFS/MFD Fitting Kit |

- OLF
- OLF-P
- NxTM
- VEU-F
- IXU
- Triton-A
- Triton-E
- NAV
- SVD01
- SVD
- OXS
- Appendix