

Manifold Filter Kit

RMF60



Features and Benefits

- Allows for effective filtration in customer's manifold

30 gpm
115 L/min
6000 psi
415 bar

NF30
 NFS30
 YF30
 CFX30
 PLD
 CF40
 DF40
 PF40
 RFS50
 RF60
 CF60

Model No. of filter in photograph is RMF608RZX10.

Flow Rating:	Up to 30 gpm (115 L/min) for 150 SUS (32 cSt) fluids
Max. Operating Pressure:	6000 psi (415 bar)*
Min. Yield Pressure:	18,000 psi (1240 bar)*
Rated Fatigue Pressure:	2300 psi (159 bar)*
Temp. Range:	-20°F to 225°F (-29°C to 107°C)
Element Case:	Steel
Element Change Clearance:	3.0" (75 mm)

Filter Housing Specifications

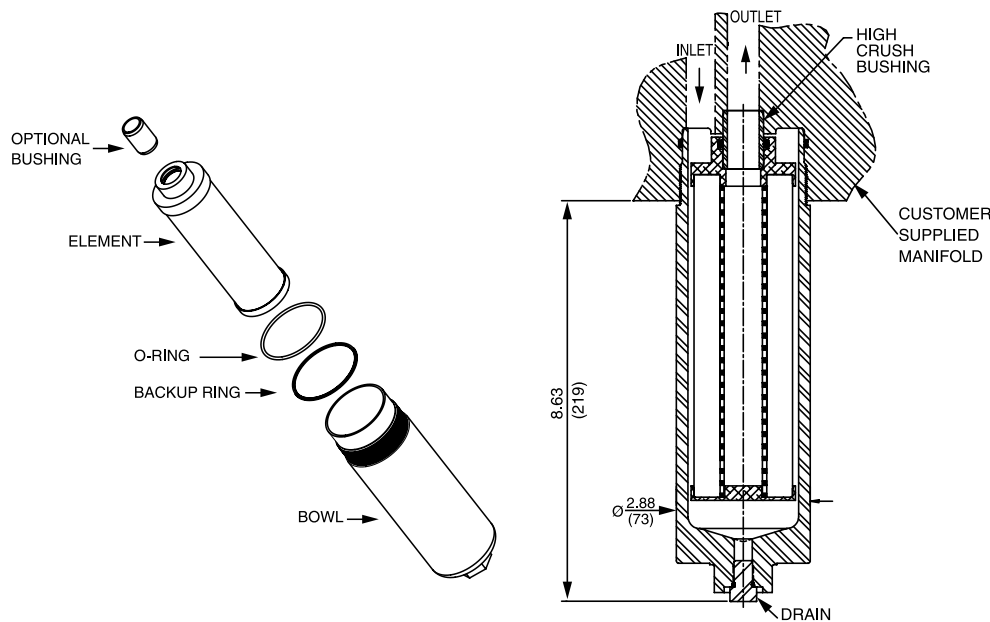
CTF60
 VF60
 LW60
 KF30
 KF50
 TF50

*Only with manifold material properties equivalent to AISI 1018 C.R.S.

Type Fluid	Petroleum Based Fluids High Water Content
------------	--

Fluid Compatibility

KC50
 MKF50
 MKC50
 KC65
 HS60
 MHS60
 KFH50
 LC60
 LC35
 LC50



NOF30-05
 NOF-50-760
 FOF60-03
 NMF30
RMF60
 14-CRZX10
 20-CRZX10

Metric dimensions in ().
 Dimensions shown are inches (millimeters) for general information and overall envelope size only.
 For complete dimensions please contact Schroeder Industries to request a certified print.

Element Performance Information & Dirt Holding Capacity

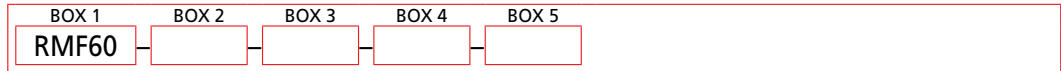
Element	Filtration Ratio Per ISO 4572/NFPA T3.10.8.8 Using automated particle counter (APC) calibrated per ISO 4402			Filtration Ratio per ISO 16889 Using APC calibrated per ISO 11171	
	$\beta_x \geq 75$	$\beta_x \geq 100$	$\beta_x \geq 200$	$\beta_x(c) \geq 200$	$\beta_x(c) \geq 1000$
NNZX3	<1.0	<1.0	<2.0	4.7	5.8
NNZX10	7.4	8.2	10.0	8.0	9.8

Element	DHC (gm)

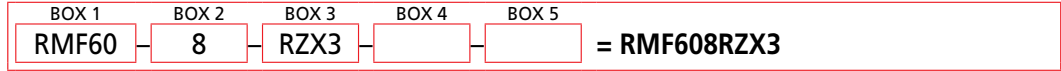
Element Collapse Rating: 3000 psid (210 bar)
 Flow Direction: Outside In
 Element Nominal Dimensions: 2.18" (55mm) O.D. x 8.15" (206 mm) long

Filter Model Number Selection

How to Build a Valid Model Number for a Schroeder RMF60:



Example: NOTE: One option per box



BOX 1	BOX 2	BOX 3	BOX 4	BOX 5
Filter Series	Element Length	Element Size and Media	Seal Material	Bushing
RMF60	8	RZX3 = E size 3 μ Excellement® Z-Media® (high collapse center tube) RZX10 = E size 10 μ Excellement® Z-Media® (high collapse center tube) RZX25 = E size 25 μ Excellement® Z-Media® (high collapse center tube)	Omit = Buna N V = Viton® H = EPR	Omit = Included N = Not included

NOTES:

Box 2: Replacement element part numbers are a combination of Boxes 2, 3, and 4. Example: 8RZX3V

Box 4: Viton® is a registered trademark of DuPont Dow Elastomers.