

Air Breathers

SAB70 Breather

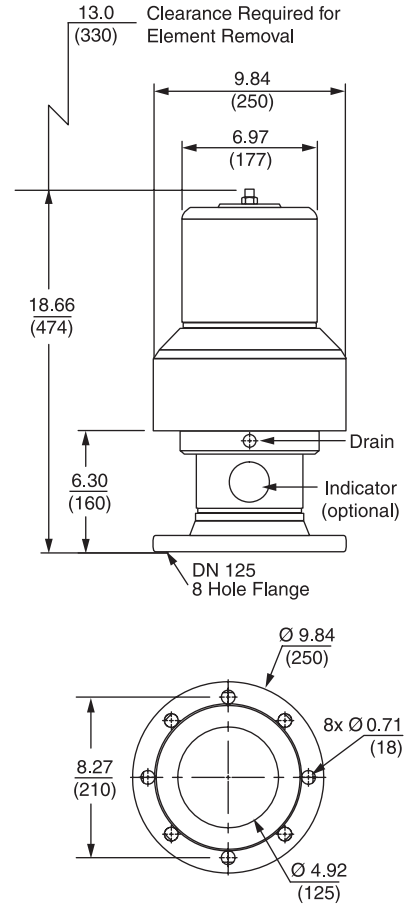
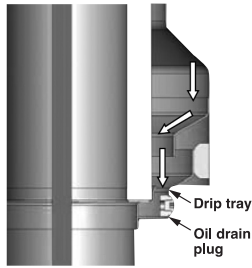


Features and Benefits

- Ideal for large reservoir with high return flow
- Durable steel housing
- Replaceable element
- Unique Oil Mist Trap design
- Optional pressure indicator

Oil Mist Trap

The oil mist in the filter is collected in a "drip tray" and is returned safely to the tank, or it can be drained via an oil drain plug.



Specifications

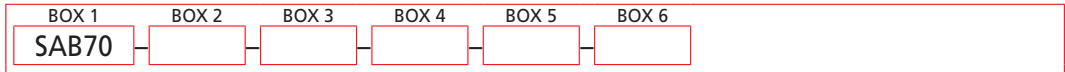
Max. Flow Rate: 340 SCFM / 2560 gpm at .15 psi
528 SCFM / 3960 gpm at .6 psi

Filtration Rating: 2 µm Excellement® Z-Media®

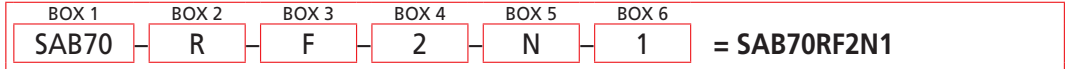
Connection: 8 bolt DN 125 flange

Filter Model Number Selection

How to Build a Valid Model Number for a Schroeder SAB70:



Example: NOTE: One option per box



BOX 1 Model Number	BOX 2 Replacement Element	BOX 3 Connection Type	BOX 4 Filtration Rating	BOX 5 Gauge Option
SAB70	R = Replacement Elements	F = Flanged	2	N = No Gauge W = With Gauge

BOX 6 Connection Size
1 = Standard (DN125)

Replacement Elements: R-SAB70-Z2