

Complete Tank Solutions



Features and Benefits

- Complete hydraulic reservoir solution with accessories like gauges, in-tank filters, and air breathers already installed
- Patented insertion ring for filter head flange mounting prevents leakage
- Patented integrated baffle wall creates settling zone for returning oil (degassing) with simultaneous cooling effect
- Tank is optimized for air and heat removal
- Tested for leakage (no end-user testing is required)
- Tank is certified clean, eliminating time-consuming flushing processes and testing
- Lightweight and cost efficient
- No risk of corrosion
- Available in five (5) performance optimized sizes (4, 7, 12, 18, & 25 gal.)
- Return-line filter options available with GeoSeal® aftermarket retaining elements

TNK4 - 4 Gallons
TNK7 - 7 Gallons
TNK12 - 12 Gallons
TNK18 - 18 Gallons
TNK25 - 25 Gallons

100 psi
(7 bar)
Return Line
Filter

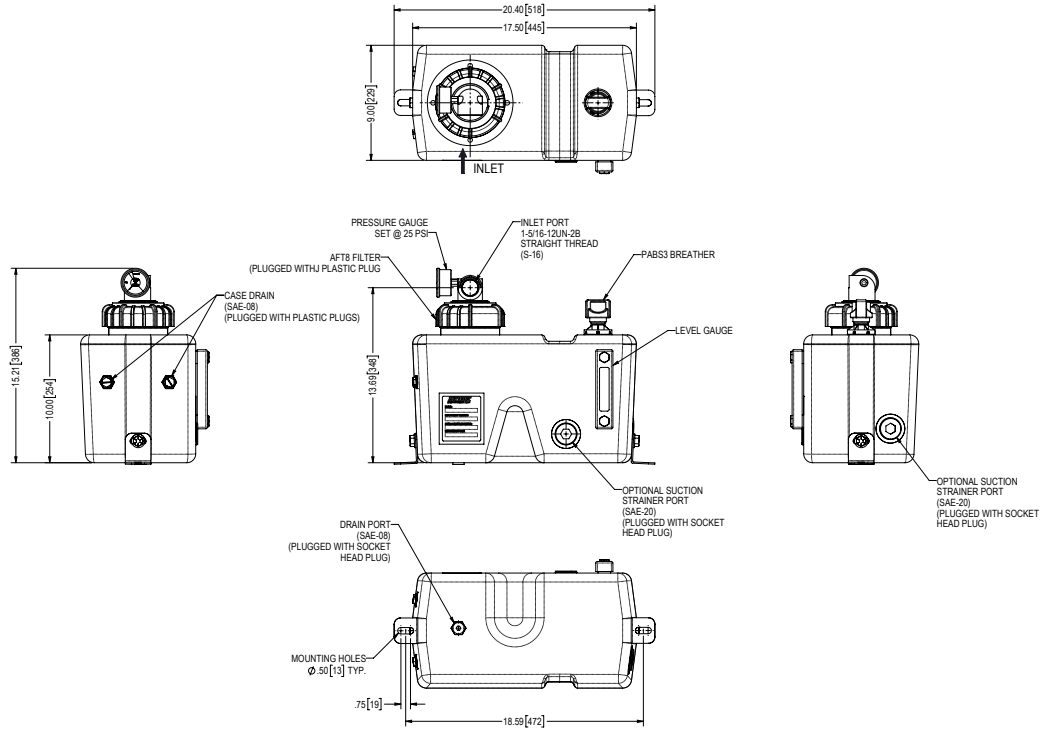
Specifications

Tank Materials:	High Density Polyethylene (HDPE)	
Tank Volumes:	4 gal (15L), 7 gal (26L), 12 gal (45L), 18 gal (70L) or 25 gal (100L)	
Operating Temperature:	High Density Polyethylene (HDPE): -40°F to 180°F (-40°C to 82°C) Nylon (PA): -40°F to 240°F (-40°C to 116°C)	
Return Line Filter:	TNK4: AFT TNK7: MTB TNK12: ZT & GZT	TNK18: ZT & GZT TNK25: RT & GRT
Max. Return Flow:	TNK4: 25 gpm TNK7: 35 gpm (135 L/min) TNK12: 40 gpm (150 L/min)	TNK18: 40 gpm (150 L/min) TNK25: 75 gpm (284 L/min)
Breather:	3 μ phenolic resin impregnated paper element	
Suction Strainer:	100 μ wire mesh SAE20: 20 gpm SAE24: 30 gpm	
Weight of TNK:	TNK4 (AFT4): 11.5 lbs TNK4 (AFT8): 11.5 lbs TNK7: 16 lbs (7.3 kg) TNK12: 21 lbs (9.7 kg)	TNK18: 33 lbs (15 kg) TNK25: 45 lbs (20 kg)
Element Change Clearance:	TNK4 (AFT4): 5.3" (134mm) TNK4 (AFT8): 8.6" (219 mm) TNK7: 5" (127mm) TNK12: 10" (254mm)	TNK18: 10" (254mm) TNK25: 9.5" (241mm)
Ultra Violet Light Rating*:	HDPE = UV-12 Nylon = UV-10	
Filter and Element Selection:	For proper filter and element selection, information and pressure drop calculations, please refer to the individual filters (MTB, ZT, GZT, RT & GRTB) sections in the Schroeder Hydraulic and Lube Catalog (L-2520).	

*UV Rating is determined by the number of years a material can be exposed to direct sunlight and retain a minimum of 50% of its original mechanical properties (ex. High Density Polyethylene with a UV-12 rating would be recommended to be replaced every 12 years if not painted or coated).

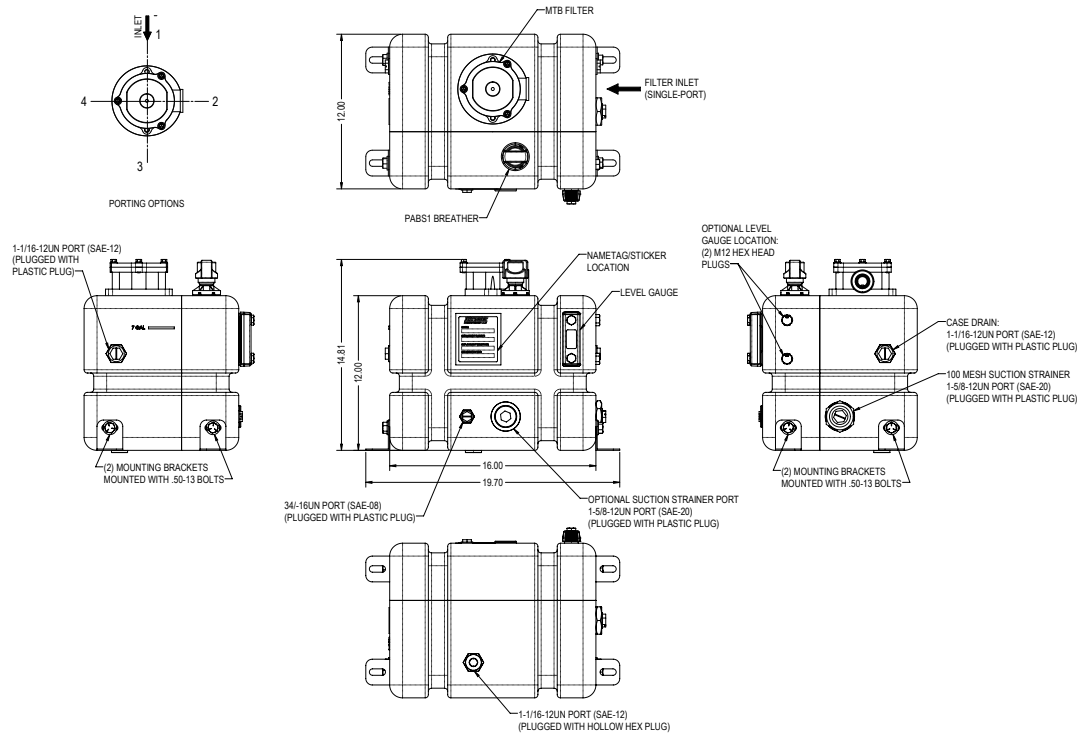
Complete Tank Solutions

TNK4



Metric dimensions in [].

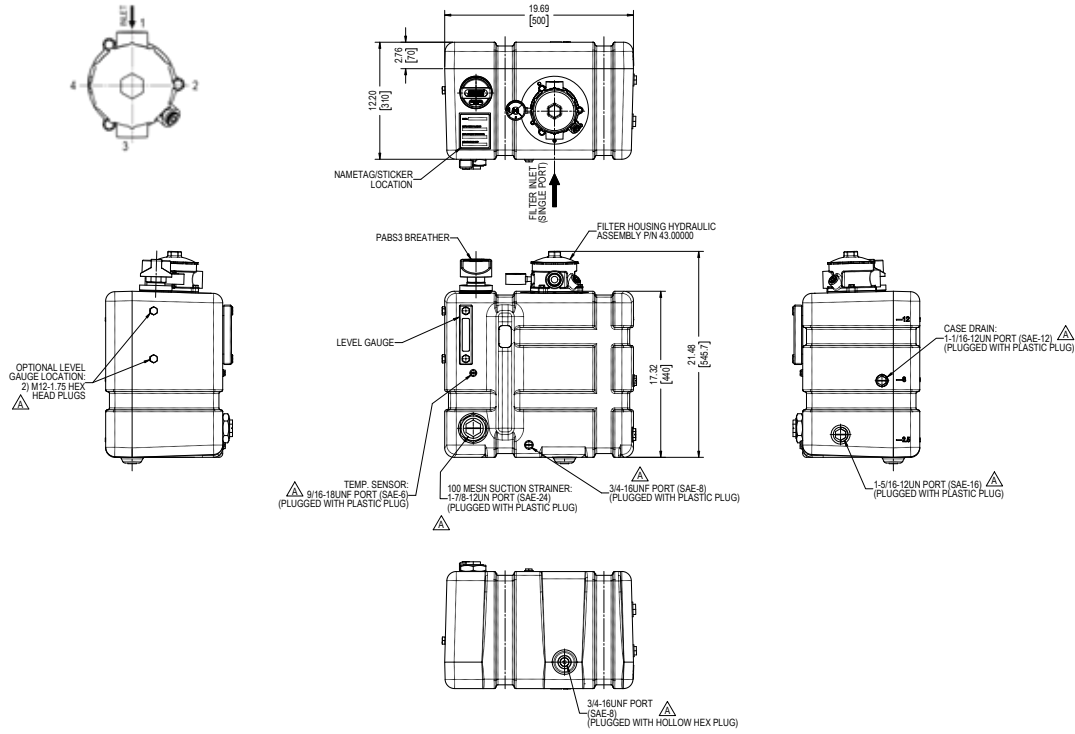
TNK7



Metric dimensions in [].

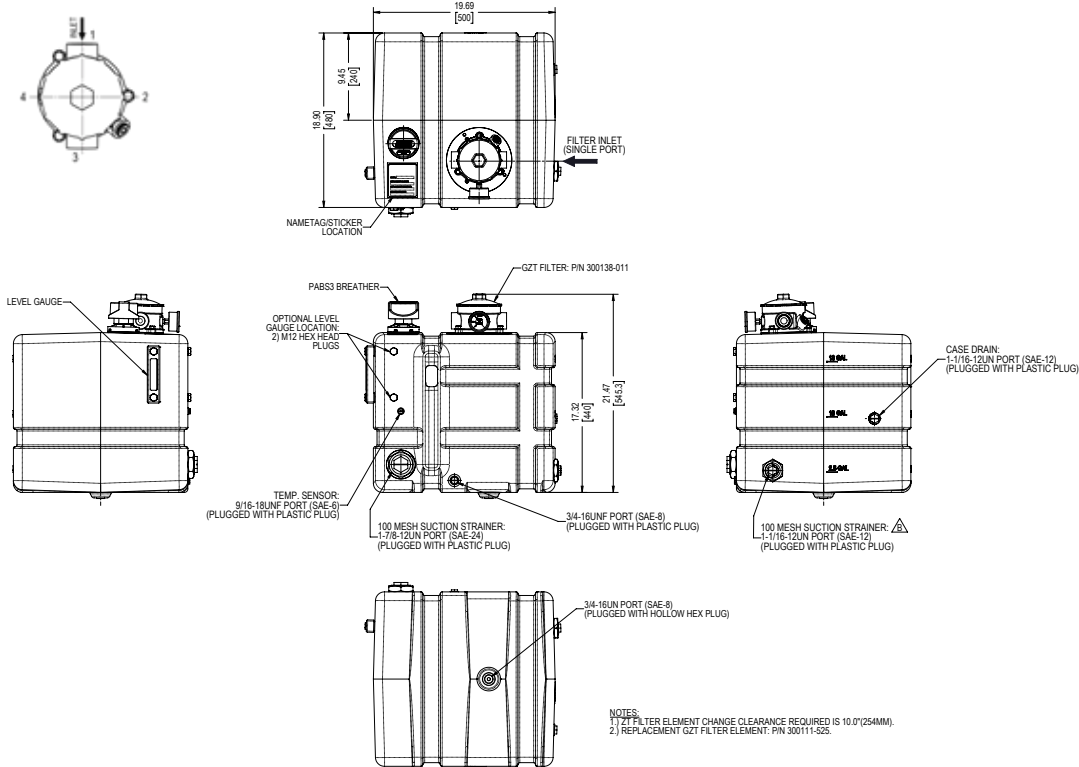
Complete Tank Solutions

TNK12



Metric dimensions in [].

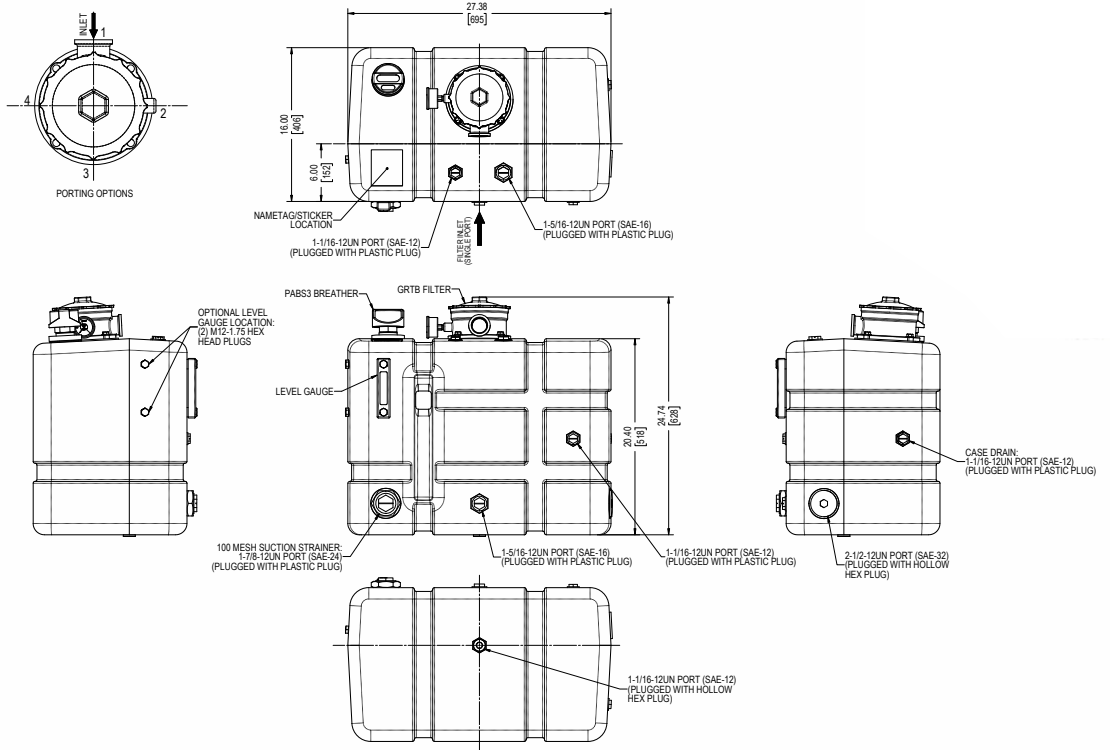
TNK18



Metric dimensions in [].

Complete Tank Solutions

TNK25



Metric dimensions in [].

Usable Fluid Levels

	Middle Level of Gauge (gal)	Top Level of Gauge (gal)
TNK4	2.6	3.7
TNK7	5.4	6.0
TNK12	10.1	11.5
TNK18	14.8	16.6
TNK25	23.4	26.0

Torque Specifications

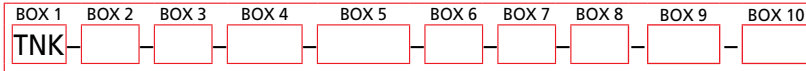
SAE-06 PORT: 8ft.-lbs. SAE-08 PORT: 10ft.-lbs. SAE-10 PORT: 20ft.-lbs. SAE-12 PORT: 25ft.-lbs. SAE-16 PORT: 25ft.-lbs. SAE-20 PORT: 28ft.-lbs. SAE-24 PORT: 30ft.-lbs. SAE-32 PORT: 30ft.-lbs.	M12 PORT: 8ft.-lbs. M14 PORT: 10ft.-lbs.	1/4-20 PORT: 2ft.-lbs. 3/8-16 PORT: 6ft.-lbs. 1/2-13 PORT: 8ft.-lbs.
---	---	--

* NOT RECOMMENDED TO EXCEED 30ft.-lbs. TORQUE

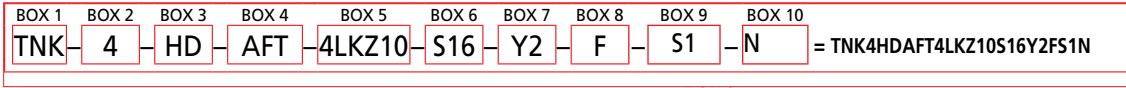
Complete Tank Solutions

TNK 4

How to Build a Valid Model Number for a Schroeder TNK4:



Example: NOTE: Only box 10 may contain more than one option



BOX 1

Product Series
TNK

BOX 2

Size
4 = 4 Gallon

BOX 3

Material
HD = HDPE
PA = Nylon

BOX 4

Return Filter
AFT

BOX 5

Element Micron Selection
4LKZ3 = 4" 3 micron Z-Media®
4LKZ5 = 4" 5 micron Z-Media®
4LKZ10 = 4" 10 micron Z-Media®
4LKZ25 = 4" 25 micron Z-Media®
8LKZ3 = 8" 3 micron Z-Media®
8LKZ5 = 8" 5 micron Z-Media®
8LKZ10 = 8" 10 micron Z-Media®
8LKZ25 = 8" 25 micron Z-Media®

BOX 6

Inlet Porting (AFT)
S16 = SAE-16
L16 = 90 Deg SAE-16

BOX 7

Gauge Port Option (Elbow Only)
N = Plugged
Y2 = Tricolor Visual Indicator (Back Mounted)
Y2C = Tricolor Visual Indicator (Bottom Mounted)
ES = Electric Switch
ES1 = Heavy Duty Electric Switch

BOX 8

Filler/Breather
F = PABS1

BOX 9

Sight Glass
S1 = Sight Glass Side
N = No Sight Glass

BOX 10

Suction Strainer
S = SAE-20, Side - Flow Rate: 25 GPM
F = SAE 20, Front - Flow Rate: 25 GPM
N = No Strainer

Filter Model Number Selection For TNK4

NOTES:

Suction flow rate for the TNK 4 Strainer is 10 GPM.

NOTES:

Box 4. Micron Rating refers to the return filter element rating.

FURTHER INFORMATION:
Tank Mounting Straps sold as a separate part number, please see next page for configurations and options.

Filter Model Number Selection For TNK7

How to Build a Valid Model Number for a Schroeder TNK7:

BOX 1	BOX 2	BOX 3	BOX 4	BOX 5	BOX 6	BOX 7	BOX 8	BOX 9	BOX 10	BOX 11
TNK										

Example: NOTE: Only box 10 may contain more than one option

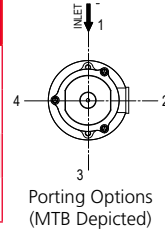
BOX 1	BOX 2	BOX 3	BOX 4	BOX 5	BOX 6	BOX 7	BOX 8	BOX 9	BOX 10	BOX 11
TNK	7	HD	MTB10	S12	3		F	S1	S	

= TNK7HDTBZ10S123FS1S

BOX 1	BOX 2	BOX 3	BOX 4
Product Series	Size	Material	Return Filter & Element Micron Selection
TNK	7 = 7 Gallon	HD = HDPE PA = Nylon	MTB MTB3 = 3 µm Excellement® Z-Media® (Synthetic) MTB5 = 5 µm Excellement® Z-Media® (Synthetic) MTB10 = 10 µm Excellement® Z-Media® (Synthetic) MTB25 = 25 µm Excellement® Z-Media® (Synthetic)

BOX 5
Inlet Porting (MTB)
P12 = ¾" NPTF P16 = 1" NPTF S12 = SAE-12 S16 = SAE-16 B12 = ISO 228 G-¾" B16 = ISO 228 G-1"

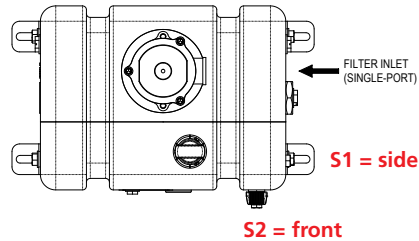
BOX 6
Filter Inlet Port Orientation
1 = Rear 2 = Right 3 = Front 4 = Left



BOX 7
Filter Options
Omit = None Visual Y2C = Bottom-mounted gauge in cap Y5 = Back-mounted gauge in cap Electrical ESC = Electric pressure switch (2 terminals)

BOX 8
Filler/Breather
F = PABS1

BOX 9
Sight Glass
S1 = Sight Glass Side S2 = Sight Glass Front N = No Sight Glass



BOX 10
Suction Strainer
S = SAE-20, Side - Flow Rate: 25 GPM F = SAE-20, Front - Flow Rate: 25 GPM N = No Strainers

BOX 11
Options
Omit = No Feet M = Mounting Feet

NOTES:

- Box 4. Micron Rating refers to the return filter element rating.
- Box 6. MTB option offers single porting option only. Please align single port with corresponding directional number.

FURTHER INFORMATION:

Tank Mounting Straps sold as a separate part number, please see next page for configurations and options.

Complete Tank Solutions

TNK12/18

How to Build a Valid Model Number for a Schroeder TNK12 & TNK18:

BOX 1	BOX 2	BOX 3	BOX 4	BOX 5	BOX 6	BOX 7	BOX 8	BOX 9	BOX 10
TNK									

Example: NOTE: Only box 10 may contain more than one option

BOX 1	BOX 2	BOX 3	BOX 4	BOX 5	BOX 6	BOX 7	BOX 8	BOX 9	BOX 10
TNK	12	HD	ZT10	S	3	Y2	F	S2	S

= TNK12HDZT10S3Y2FS2S

<p>BOX 1</p> <p>Product Series</p> <p>TNK</p>	<p>BOX 2</p> <p>Size</p> <p>12 = 12 Gallon</p> <p>18 = 18 Gallon</p>	<p>BOX 3</p> <p>Material</p> <p>HD = HDPE</p> <p>PA = Nylon</p>	<p>BOX 4</p> <p>Return Filter & Element Micron Selection</p> <p>ZT/GZT (GeoSeal®)</p> <p>ZT1/GZT1 = 1 µm Excellement® Z-Media® (Synthetic)</p> <p>ZT3/GZT3 = 3 µm Excellement® Z-Media® (Synthetic)</p> <p>ZT5/GZT5 = 5 µm Excellement® Z-Media® (Synthetic)</p> <p>ZT10/GZT10 = 10 µm Excellement® Z-Media® (Synthetic)</p> <p>ZT25/GZT25 = 25 µm Excellement® Z-Media® (Synthetic)</p>
<p>BOX 5</p> <p>Inlet Porting (ZT/GZT)</p> <p>P = 1" NPTF</p> <p>PP = Dual 1" NPTF</p> <p>S = SAE-16</p> <p>SS = Dual SAE-16</p> <p>B = ISO 228 G-1"</p> <p>BB = Dual ISO 228 G-1"</p>	<p>BOX 6</p> <p>Filter Inlet Port Orientation</p> <p>1 = Rear</p> <p>2 = Right</p> <p>3 = Front</p> <p>4 = Left</p>	<p>BOX 7</p> <p>Filter Options</p> <p>Omit = None</p> <p>D = Diffuser</p> <p>Visual</p> <p>Y2 = Back-mounted tricolor gauge</p> <p>Y2C = Bottom-mounted gauge in cap</p> <p>Y5 = Back-mounted gauge in cap</p> <p>Electrical</p> <p>ES = Electric switch</p> <p>ES1 = Heavy-duty electric switch with conduit connection</p>	
<p>BOX 8</p> <p>Filler/Breather</p> <p>F = PABS3</p>	<p>Porting Options (ZT Depicted)</p>		<p>BOX 9</p> <p>Sight Glass</p> <p>S1 = Sight Glass Side</p> <p>S2 = Sight Glass Front</p> <p>N = No Sight Glass</p>
		<p>BOX 10</p> <p>Suction Strainer</p> <p>S = SAE-20, 100 Mesh Strainer (25 GPM Flow Rate)</p> <p>N = No Strainer / SAE-32 Open Port</p> <p>For TNK18 Only</p> <p>B = SAE-12 Flow Rate: 10 GPM</p> <p>SAE-24 Flow Rate: 25 GPM</p>	

Filter Model Number Selection For TNK12 & TNK18

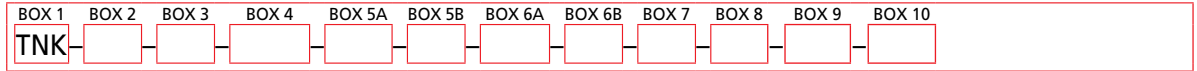
NOTES:

Box 4. Micron Rating refers to the return filter element rating.

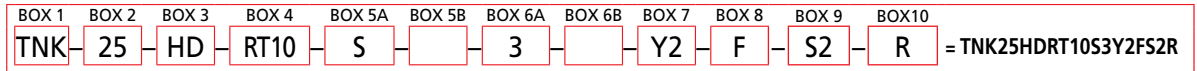
FURTHER INFORMATION:
Tank Mounting Straps sold as a separate part number, please see next page for configurations and options.

Filter Model Number Selection For TNK25

How to Build a Valid Model Number for a Schroeder TNK25:



Example: NOTE: Only box 10 may contain more than one option



BOX 1	BOX 2	BOX 3	BOX 4
Product Series	Size	Material	Return Filter & Element Micron Selection
TNK	25 = 25 Gallon	HD = HDPE PA = Nylon	GRTB/RT/GRT (G= GeoSeal®) GRTB1/RT1/GRT1 = 1 µm Excellement® Z-Media® (Synthetic) GRTB3/RT3/GRT3 = 3 µm Excellement® Z-Media® (Synthetic) GRTB5/RT5/GRT5 = 5 µm Excellement® Z-Media® (Synthetic) GRTB10/RT10/GRT10 = 10 µm Excellement® Z-Media® (Synthetic) GRTB25/RT25/GRT25 = 25 µm Excellement® Z-Media® (Synthetic) Filters chosen here, go to the corresponding inlet porting options in either Box 5A (GRTB) or Box 5B (RT/GRT).

Choose BOX 5A/6A or 5B/6B

BOX 5A	BOX 6A
Inlet Porting (GRTB)	Filter Inlet Port Orientation
P = 1.25" NPT S = SAE-20 B = ISO 228 G-1.25"	1 = Rear 2 = Right 3 = Front 4 = Left

Porting Options (GRTB Depicted)

or

BOX 5B	BOX 6B
Inlet Porting (RT/GRT) Port A P16 = 1" NPTF P20 = 1¼" NPTF P24 = 1½" NPTF P32 = 2" NPTF S16 = SAE-16 S20 = SAE-20 S24 = SAE-24 S32 = SAE-32 F20 = 1¼" SAE 4-bolt flange Code 61 F24 = 1½" SAE 4-bolt flange Code 61 F32 = 2" SAE 4-bolt flange Code 61 B24 = ISO 228 G-½"	Inlet Porting (RT/GRT) Port B N = None P16 = 1" NPTF P20 = 1¼" NPTF P24 = 1½" NPTF P32 = 2" NPTF S16 = SAE-16 S20 = SAE-20 S24 = SAE-24 S32 = SAE-32 F20 = 1¼" SAE 4-bolt flange Code 61 F24 = 1½" SAE 4-bolt flange Code 61 F32 = 2" SAE 4-bolt flange Code 61 B24 = ISO 228 G-½"

BOX 6B
Filter Inlet Port Orientation
1 = Rear 2 = Right 3 = Front 4 = Left

Porting Options (RT/GRT Depicted)

BOX 7	
Filter Options	
Omit = None D = Diffuser	
Visual	Y2 = Back-mounted tricolor gauge Y2C = Bottom-mounted gauge in cap Y5 = Back-mounted gauge in cap
Electrical	ES = Electric switch ES1 = Heavy-duty electric switch with conduit connection

BOX 8	BOX 9	BOX 10
Filler/Breather	Sight Glass	Options
F = PABS1	S1 = Sight Glass Side S2 = Sight Glass Front N = No Sight Glass	N = No Suction Strainer R = SAE-24, 100 Mesh Strainer on front side Flow Rate: 25 GPM B = SAE-24, 100 Mesh Strainer on both sides (25 GPM Flow Rate)

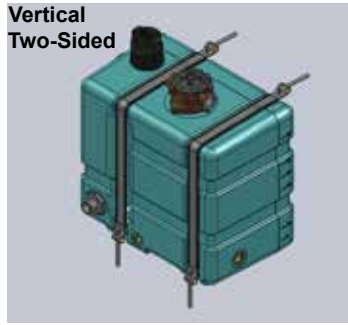
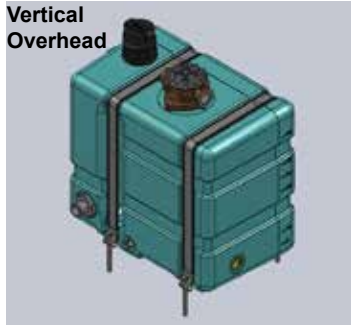
NOTES:

Box 4. Micron Rating refers to the return filter element rating.
*Box 7. Y2C and Y5 options for RT/GRT only.

FURTHER INFORMATION:
Tank Mounting Straps sold as a separate part number, please see next page for configurations and options.

Complete Tank Solutions

Mobile applications have unique requirements for hydraulic components. Often, these components need to be small, compact and as lightweight as possible. Making sure these reservoirs are secure is often overlooked. Schroeder Industries has taken the steps to ensure that customers have all the tools necessary to securely operate their mobile equipment. Schroeder's Plastic Tank (TNK) Reservoir, a money and time-saving solution with an integrated return filter and accessories in one compact package, also includes mounting straps. These mounting straps have been developed to assure a safe and secure connection to the frame or chassis of any mobile vehicle. These straps are offered in three configurations for both sizes of the Plastic Tank in a rubber coated steel strap.



Plastic Tank Strap Arrangement Introduction

Mounting Possibility
Represents 12, 18 & 25 Gallon Strap Locations

TNK7 Straps*			
Vertical Overhead	443635	Horizontal Upper	444066

TNK12 Straps*			
Vertical Overhead	443868	Horizontal Upper	444066
Vertical Two-Sided	443889	Horizontal Lower	444185

TNK18 Straps*			
Vertical Overhead	3054998	Horizontal Upper	444490
Vertical Two-Sided	444183	Horizontal Lower	3521866

TNK25 Straps*			
Vertical Overhead	4231789	Horizontal Upper	444490
Vertical Two-Sided	444183	Horizontal Lower	4389641

*Straps are not sold in sets. Each part number designates one strap.

Ordering Information: