

Varnish Elimination Unit VEU-Compact

Features



Features and Benefits

- All in one system solution
- Removes oil degradation products (solids & gel-like Varnish)
- Improves system reliability and performance
- Reduces deposits on hydraulic valves
- Increases fluid life

Applications

Applications

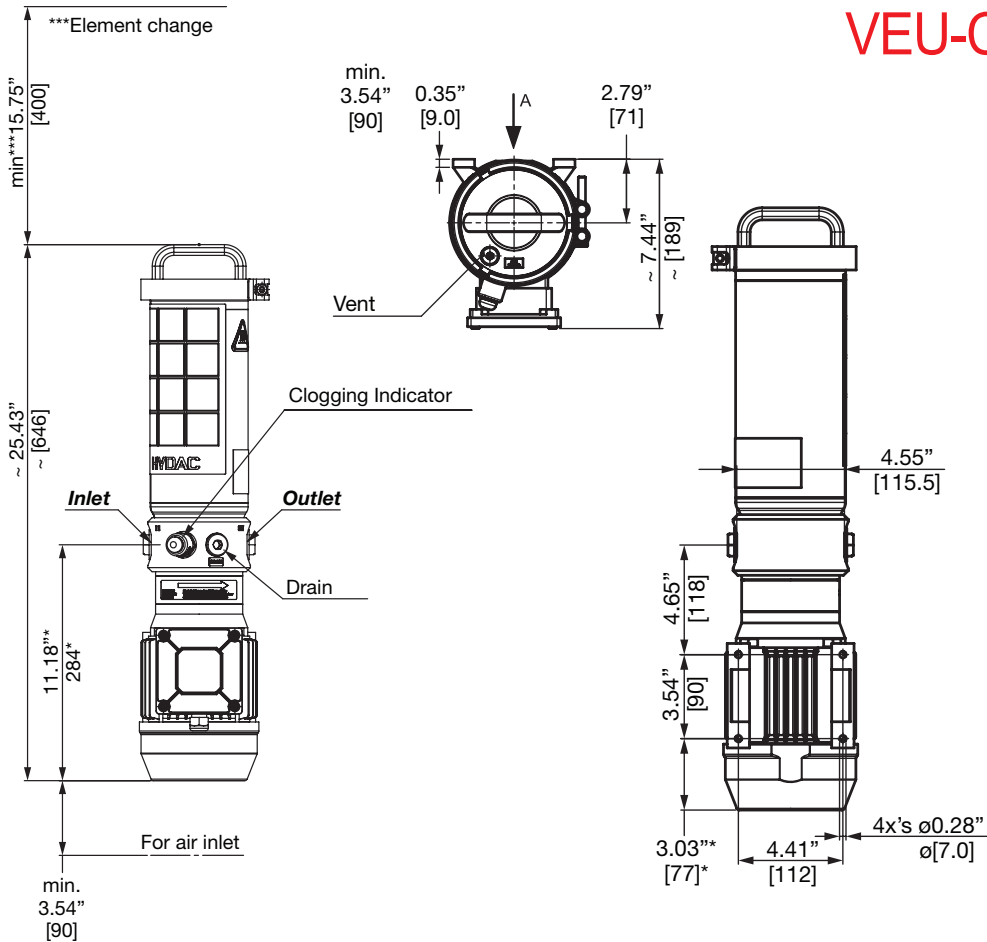
- Automotive
- Chemical Processing
- Industrial
- Machine Tools
- Oil and Gas
- Plastic Injection
- Paper Mills
- Hydro Power
- Steel Making

Description

Schroeder's Compact Varnish Elimination Unit, or VEU Compact for short, is an effective, small form-factor solution to varnish and oil-aging products in hydraulic systems. Modern hydraulic systems are more prone to varnish due to several factors ranging from oxidation to contaminants which can cause oil degradation. The VEU compact can help maintain equipment cleanliness by removing these issues.

Specifications

Viscosity Range:	15 - 200 cSt (70 - 925 SUS)
Permitted Oil Temperature Range:	50° - 160° F (10° - 70° C)
Permitted Storage Temperature Range:	32° - 122° F (0° - 50° C)
Operating Pressure:	174 PSI (12 bar)
Permitted Pressure at Suction Port:	-5.8 psi - 7.3 psi (-0.4 - 0.5 bar)
Suction Connection:	ISO 228 - 1 G1
Discharge Connection:	ISO 228 - 1 G1
Noise Level at 3ft Distance:	< 70 db
Seal Material:	FKM / Viton
Permitted Relative Humidity:	0 - 80 %
Dry Weight:	31 lbs (14kg)



How to Build a Valid Model Number for a Schroeder VEU Compact:

BOX 1	BOX 2	BOX 3	BOX 4	BOX 5	BOX 6	BOX 7	BOX 8	BOX 9
VEU								

Example: NOTE: One option per box

BOX 1	BOX 2	BOX 3	BOX 4	BOX 5	BOX 6	BOX 7	BOX 8	BOX 9
VEU	F	5/3	S	Z	S	O60	Z	D70

= VEU-F-5/3-S-Z-S-O60-Z-D70

BOX 1	BOX 2	BOX 3	BOX 4	BOX 5
Series VEU	Function F = Filtration	Size 5/3 = Filter housing 5 litres / nominal flow rate max. 3 litres	Model S = Stationary	Cooler / Heat Exchanger Z = None
BOX 6	BOX 7	BOX 8	BOX 9	
Pump S = Vane Pump	Voltage O 60 = 460V, 60 Hz, 3 Ph	Filter Element VE = Varnish Elimination Element Z = Without Filter Element	Clogging Indicator D70 = 5 Bar D69 = 8 Bar	

Replacement Filter Elements

Model Number	Part Number
VEE-F-4-5-5	4595690



Magnetic Mount

Model Number	Part Number
Quick Fix Plate VEU-F	4760248

Model Number Selection